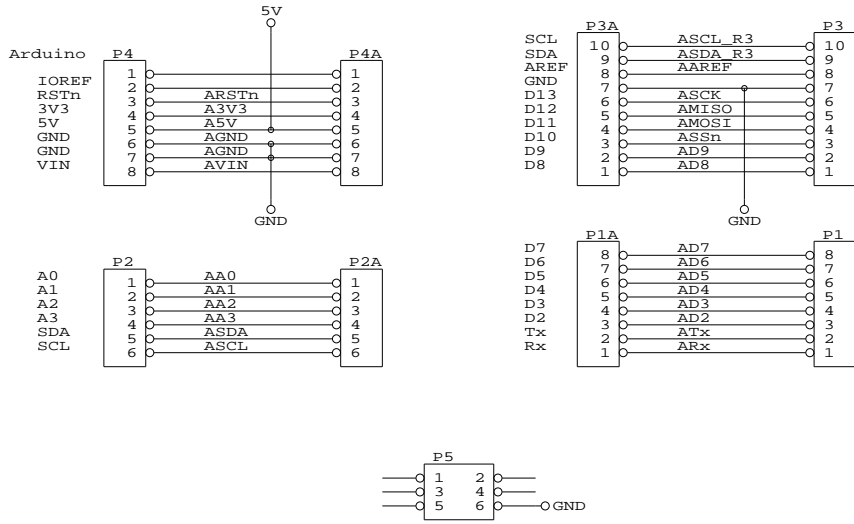
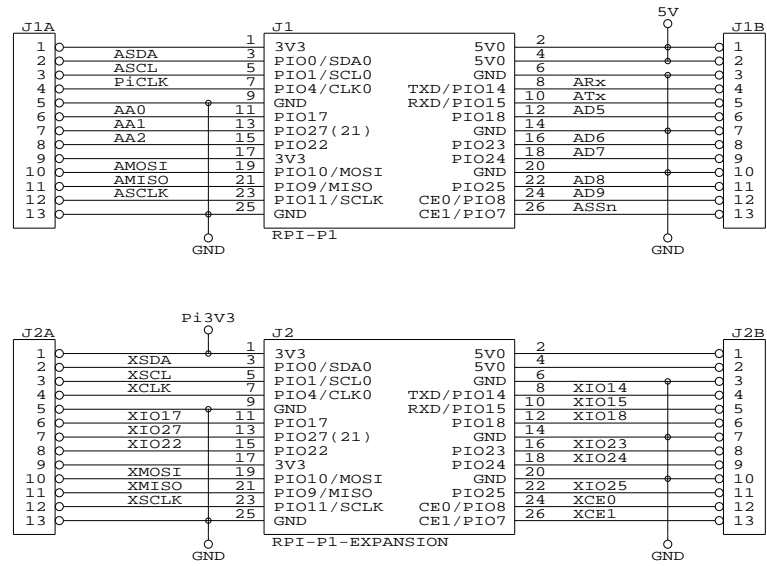


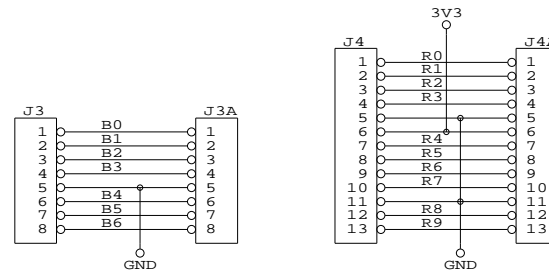
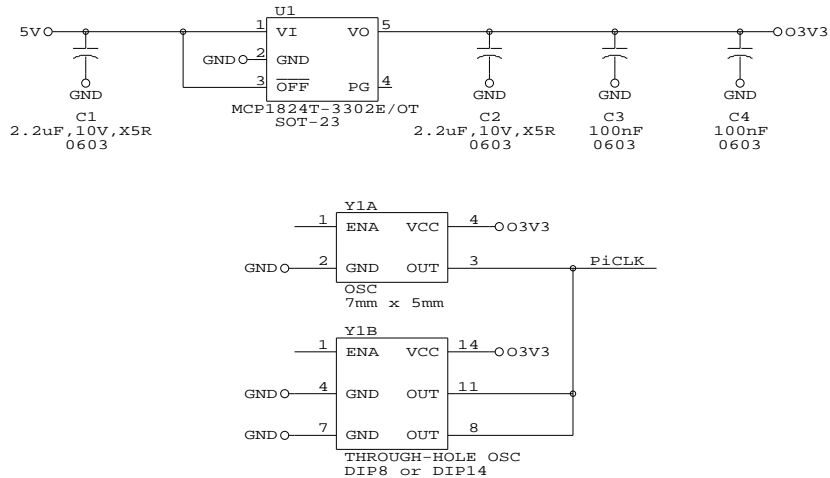
## Arduino



## PIF and PIF-expansion



## Optional Oscillator



T1  
1  
T2  
1  
Assembly targets

FINO.SCH

(c) 2014 Bugblat Ltd.		
Title	Fino	
Size	Document Number	REV
B		1.0
Date:	April 8, 2014	Sheet 1 of 3