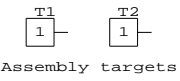
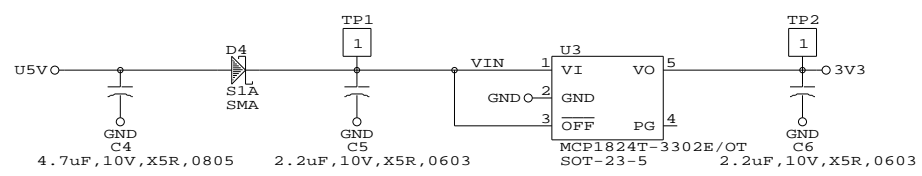
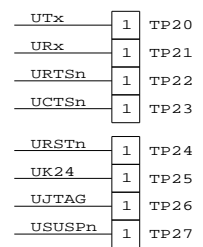
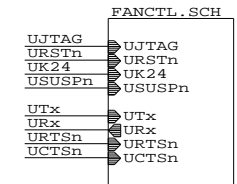


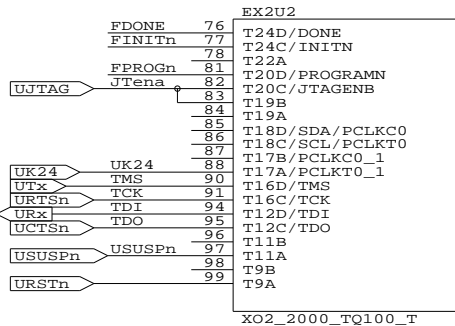
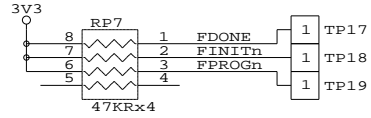
CBUS pins pull up approx 75K in input mode
 RTS defaults to output
 CTS defaults to input



FAN.SCH

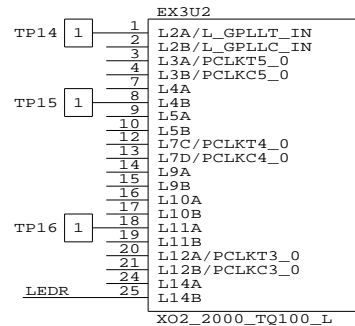
(c) 2014 Bugblat Ltd.		
Title		
Bugblat - Fan		
Size	Document Number	REV
B		2.0
Date:	October 3, 2014	Sheet 1 of 3

PROGn/DONE/INITn have pullups during configuration
 JTAG pins except TDI have internal pullups

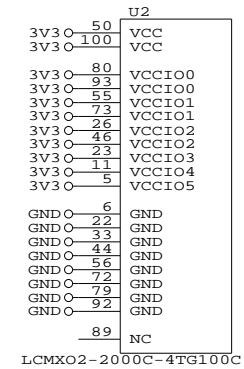


XO2_2000_TQ100_T

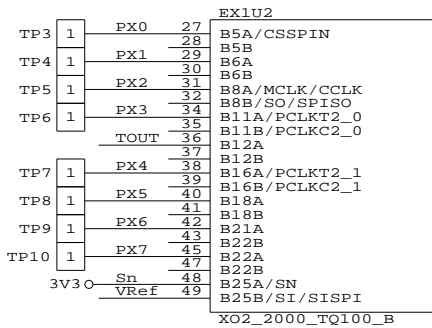
JTAGen Lo:pins are GPIO, Hi:pins are JTAG



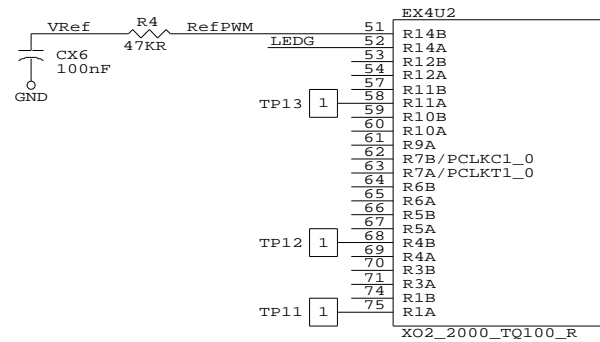
XO2_2000_TQ100_L



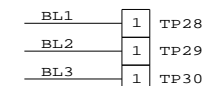
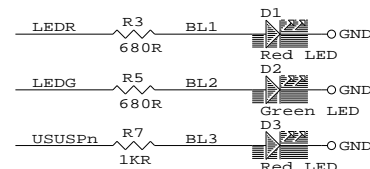
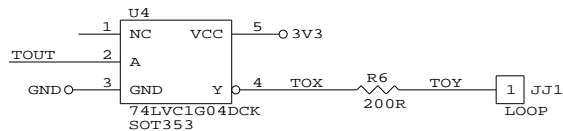
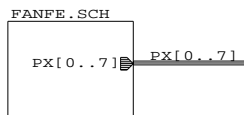
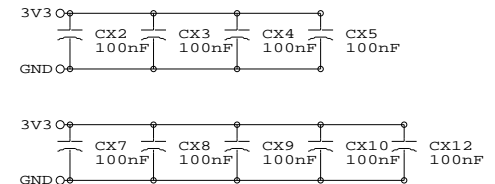
LCMXO2-2000C-4TG100C



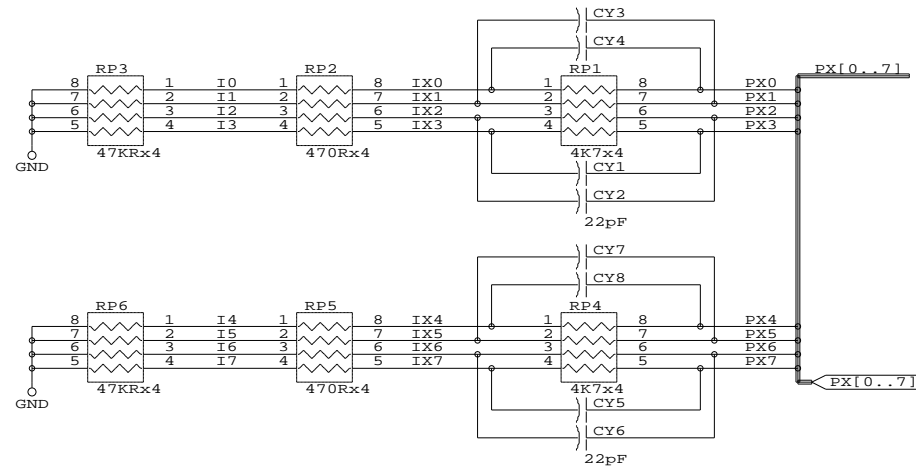
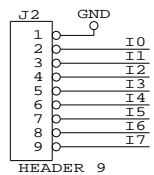
XO2_2000_TQ100_B



XO2_2000_TQ100_R



(c) 2014 Bugblat Ltd.		
Title	Bugblat - Fan Control	
Size	Document Number	REV
B		2.0
Date:	October 3, 2014	Sheet 2 of 3



(c) 2014 Bugblat Ltd.		
Title Bugblat Fan - Front End		
Size B	Document Number	REV 2.0
Date: October 3, 2014	Sheet	3 of 3